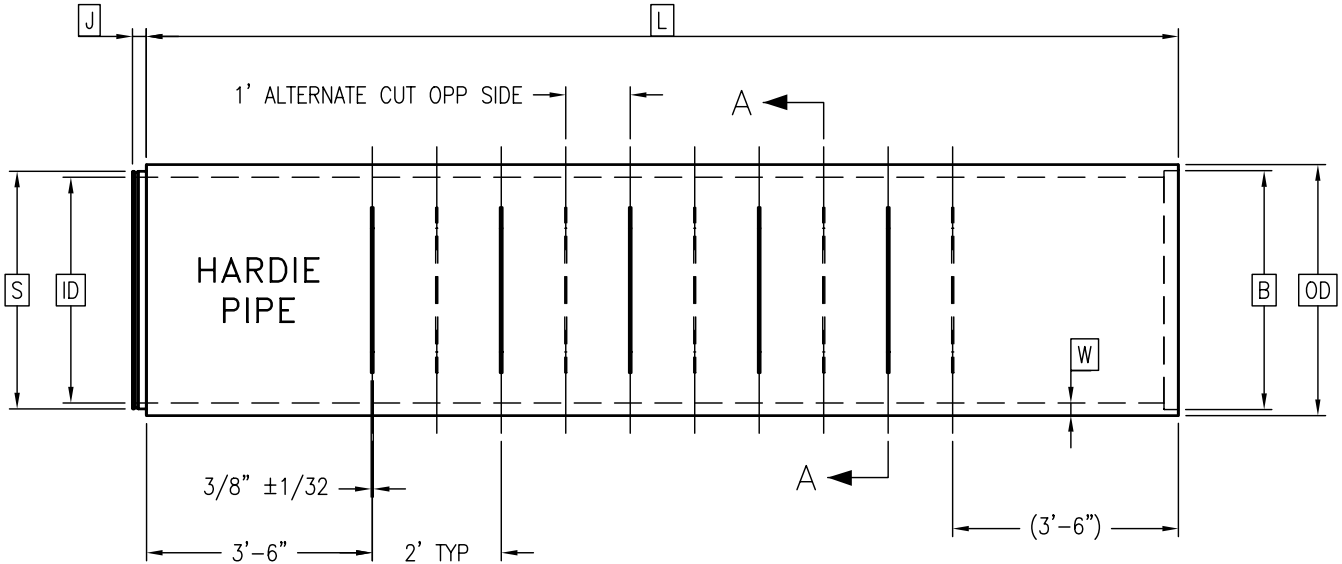


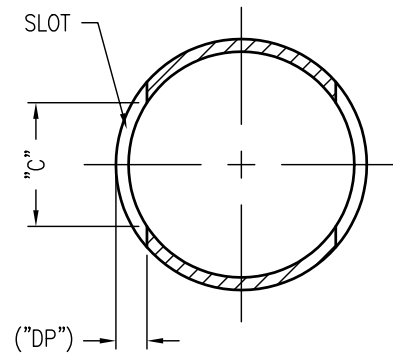


FIBER REINFORCED CONCRETE PIPE SLOTTED PIPE



HARDIE CLASS AND SIZE DIMENSION CHART
 (All Dimensions in inches)

DIA	CLASS	OD	B	ID	W	L	J	S
12"	III	14.70	12.87	12	1.35	15'-16'	1.39"	12.8
	IV	14.70	12.87	12	1.35	15'-16'	1.39"	12.8
	V	14.70	12.87	12	1.35	15'-16'	1.39"	12.8
15"	III	17.99	16.03	15	1.50	15'-16'	1.50"	15.96
	IV	17.99	16.03	15	1.50	15'-16'	1.50"	15.96
	V	18.37	16.03	15	1.69	15'-16'	1.50"	15.96
18"	III	20.67	19.19	18	1.34	15'-16'	1.62"	19.11
	IV	21.27	19.19	18	1.64	15'-16'	1.62"	19.11
	V	22.05	19.19	18	2.03	15'-16'	1.62"	19.11
24"	I	27.05	25.51	24	1.53	15'-16'	1.85"	25.42
	II	27.05	25.51	24	1.53	15'-16'	1.85"	25.42
	III	27.56	25.51	24	1.78	15'-16'	1.85"	25.42
	IV	28.36	25.51	24	2.18	15'-16'	1.85"	25.42
	V	29.39	25.51	24	2.70	15'-16'	1.85"	25.42
30"	I	33.39	31.82	30	1.70	15'-16'	2.09"	31.73
	II	33.81	31.82	30	1.91	15'-16'	2.09"	31.73
	III	34.45	31.82	30	2.23	15'-16'	2.09"	31.73
	IV	35.45	31.82	30	2.73	15'-16'	2.09"	31.73
	V	36.74	31.82	30	3.37	15'-16'	2.09"	31.73
36"	I	40.07	38.13	36	2.04	15'-16'	2.33"	38.03
	II	40.57	38.13	36	2.29	15'-16'	2.33"	38.03
	III	41.33	38.13	36	2.67	15'-16'	2.33"	38.03
	IV	42.54	38.13	36	3.27	15'-16'	2.33"	38.03
	V	44.09	38.13	36	4.05	15'-16'	2.33"	38.03



SECTION A-A

PIPE SIZE	SLOT CUT		"DP" (Ref) Class III
	Opening "C"		
	MIN	MAX	
15"	12"	14"	5 1/4" ± 7/8"
18"	12"	14"	4 1/8" ± 1/2"
24"	16"	18"	5 3/8" ± 1/2"
30"	16"	18"	4 7/8" ± 3/8"
36"	22"	24"	6 7/8" ± 1/2"
42"	22"	24"	6 7/8" ± 1/2"
48"	22"	24"	6 7/8" ± 1/2"