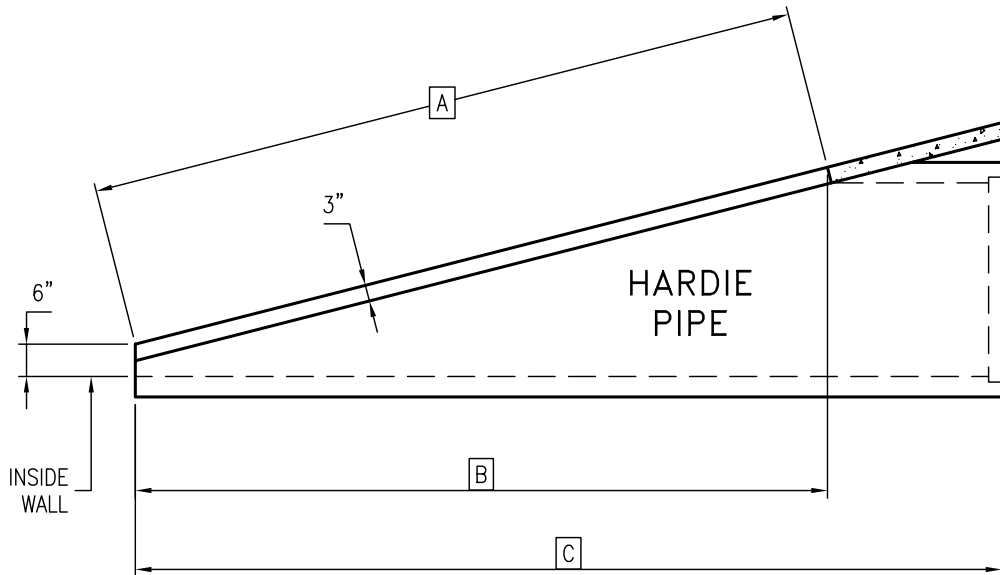




FIBER REINFORCED CONCRETE PIPE
MITERED END SECTION



MITERED HARDIE PIPE				
SLOPE	DIA	A	B	C
2:1	12	-	-	-
	15	2.18'	2.06'	5'
	18	2.74'	2.56'	6'
	24	3.85'	3.56'	7'
	30	4.95'	4.56'	8'
	36	6.08'	5.56'	9'
4:1	12	-	-	-
	15	4.09'	4.03'	8'
	18	5.12'	5.03'	9'
	24	7.18'	7.03'	11'
	30	9.25'	9.03'	13'
	36	11.31'	11.03'	15'